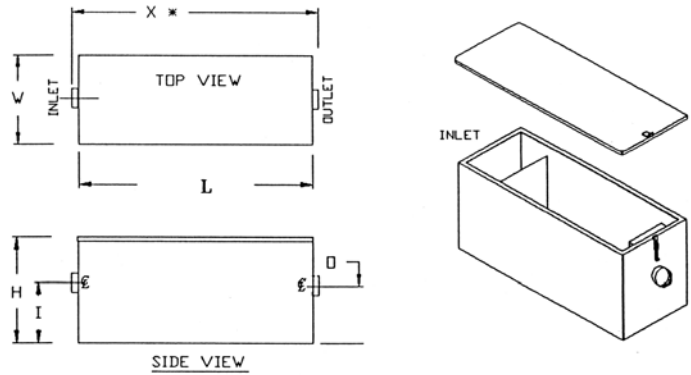


# International

G ♦ R ♦ D INC.

♦ Grease Recovery Device ♦



MODEL	FLOW	GRD UNIT						Z	HUB	HUB	X * OVERALL LENGTH	LBS-OIL CAPACITY
		L	W	H	I	E	D					
20M	20	24"	14"	16.5'	10'	10'	3"	3"	28'	66		
25M	25	30"	14"	16.5'	10'	10'	3"	3"	34'	77		
35M	35	36"	14"	16.5'	10'	10'	3"	3"	40'	94		
50M	50	48"	14"	21"	13'	13'	4"	4"	52'	102		

## INTERNATIONAL GRD INC. Manual Grease Interceptor—General Specifications:

To furnish a Grease Interceptor Model \_\_\_\_\_ M for above ground use. Unit is constructed of 16 Ga. Stainless steel (S/S) heli-arc welded to be water tight and polished to a #4 finish with no visible seams. The GRD shall have a 16 Ga. Type 304 S/S gasketed cover, welded and polished to a #4 finish, fastened down with S/S latches and catches welded into place. Unit is built to NSF Standard #2 with seal affixed.

Interior components will be of type 304 S/S. All units are IAPMO and PDI listed and shall be marked.

